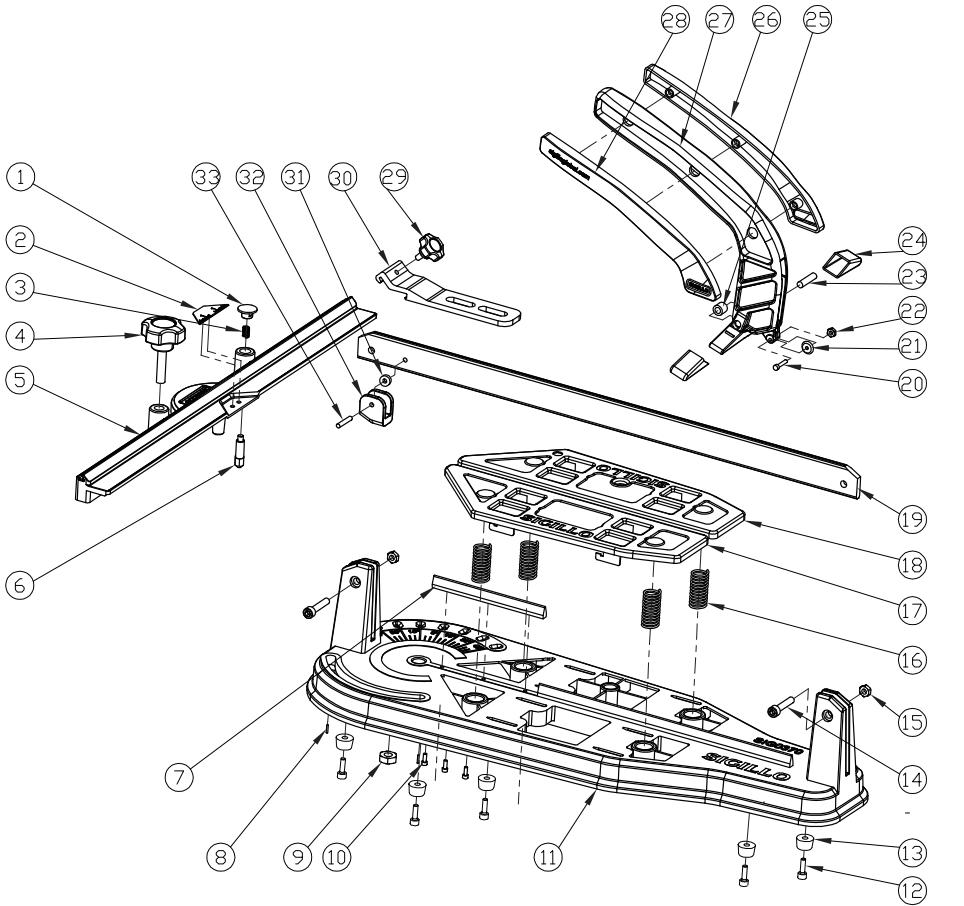


SIGILLO 370 Master Tile Cutter



NO.	Item ID	Item Name	NO.	Item ID	Item Name	NO.	Item ID	Item Name	NO.	Item ID	Item Name
1	8071106316	Press pin	10	8071107012	Hexagon socket cup head screw	19	8071106306	Rail	28	8071106302	Left cover plate of handle
2	8071106315	Plastic block	11	8071106307	Base plate	20	8071107005	Hexagon socket bolts with half teeth	29	8071107018	Mini thumb screw
3	8071107023	Pressure spring	12	8071107016	Hexagon socket cup head screw	21	1919114327	Cutting wheel	29	6631202012	Blossom screws
4	8071106310	Small thumb screw	13	8071107015	Rubber blanket	22	1919114330	Lock nut	29	6614110606	End cup
5	8071106314	Guide rail	14	8002700141	Hexagon socket cup head screw	23	8071106305	Knurled cylindrical pin	30	8071106313	Guiding rule bar
6	8071106317	Top pin	15	1919114016	Nut	24	8071107002	Angle bead	31	8071106318	Spacer
7	8071107011	Insertion strip	16	8071107025	Pressure spring	25	8071106304	Needle bearing	32	8071106110	Bumper
8	8071107039	Cotter pin	17	8071106308	Left aluminium plate	26	8071106303	Right cover plate of handle	33	8071107046	Cotter pin
9	8071106312	Nut	18	8071106309	Right aluminium plate	27	8071106301	Handle			