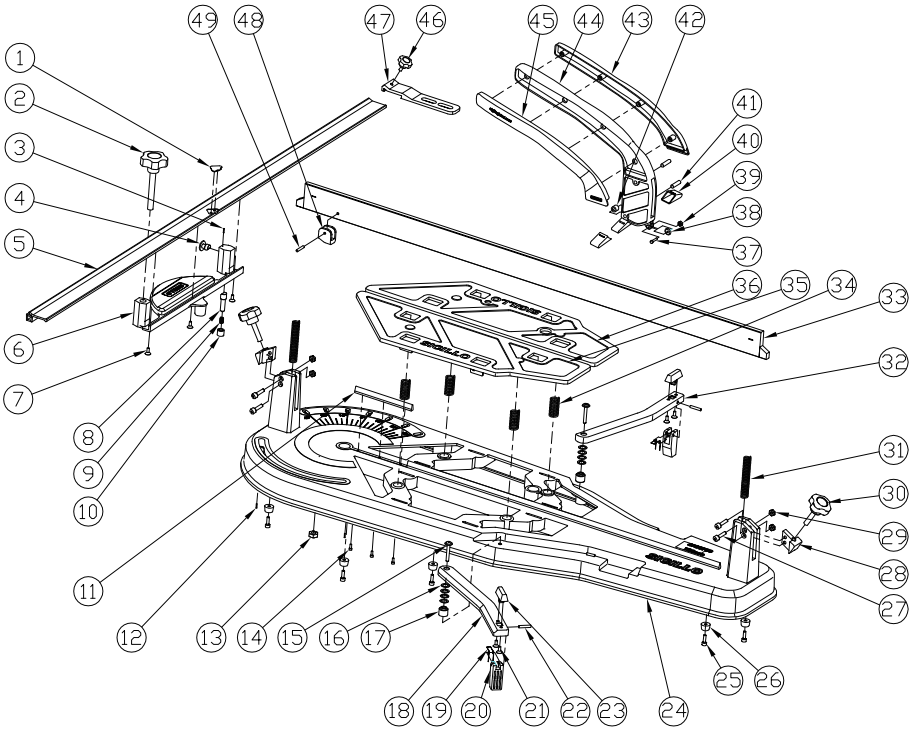


# SIGILLO 750 Master Tile Cutter



NO.	Item ID	Item Name	NO.	Item ID	Item Name	NO.	Item ID	Item Name
1	8071107040	Plastic block	13	1919114028	Nut	25	8071107016	Hexagon socket cup head screw
2	8071107021	Large thumb screw	14	8071107012	Hexagon socket cup head screw	26	8071107015	Rubber blanket
3	8071107039	Cotter pin	15	8071107035	Hexagon socket head pan head bolts with washers	27	8071106402	Hexagon socket cup head screw
4	8071107041	Press pin	16	8071107026	Wave spring	28	8071106401	Located block
5	8071107037	Graduated scale	17	8071107034	Spacer	29	1919114037	Nut
6	8071107038	Guide rail	18	8071106107	Left extension bar	30	8071106404	Small thumb screw
7	8071107017	Cross flat head bolts	19	8071107033	Torsion spring	31	8071107024	Pressure spring
8	8071107042	Top pin	20	8071107030	Extension bar base	32	8071106108	Right extension bar
9	8071107023	Pressure spring	21	8071107031	Phillips countersunk head tapping screws	33	8071107009	Rail
10	8071107043	Copper screw	22	8071107032	Knurled cylindrical pin	34	8071107025	Pressure spring
11	8071107011	Insertion strip	23	8071107029	Heel block for extension bar	35	8071106104	Left aluminium plate
12	8071107039	Cotter pin	24	8071106403	Base plate	36	8071106105	Right aluminium plate
						37	8071107005	Hexagon socket bolts with half teeth
						38	1919114327	Cutting wheel
						39	1919114330	Lock nut
						40	8071107002	Angle bead
						41	8071107007	Knurled cylindrical pin
						42	8071107006	Needle bearing
						43	8071107004	Right cover plate of handle
						44	8071107001	Handle
						45	8071107003	Left cover plate of handle
						46	8071107018	Mini thumb screw
						47	8071107036	Guiding rule bar
						48	8071106110	Bumper
						49	8071107046	Cotter pin